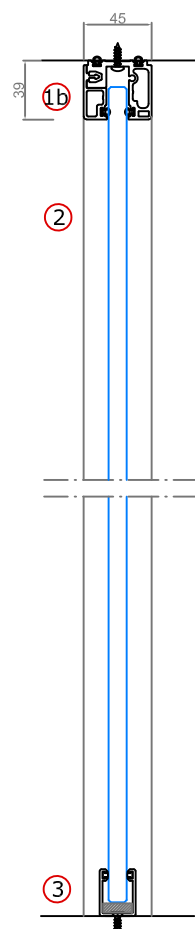
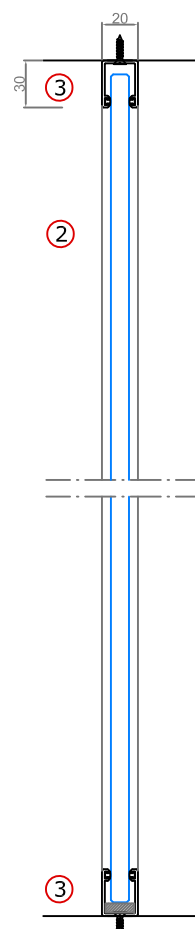


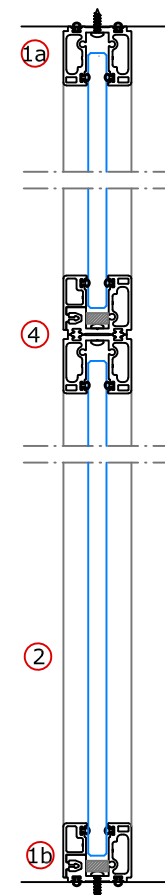
SINGLE GLAZED (Type A)
Top: unique aluminium profile
Bottom: aluminium profile with packet



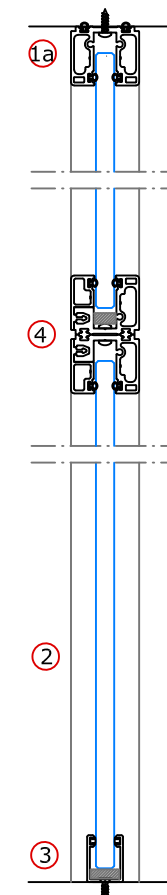
SINGLE GLAZED (Type B)
Top: aluminium profile with packet
Bottom: U-shaped aluminium profile



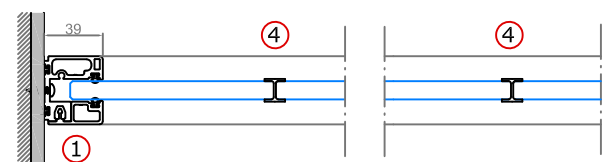
SINGLE GLAZED (Type C)
Top: U-shaped aluminium profile
Bottom: U-shaped aluminium profile



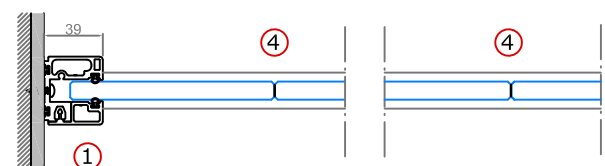
SINGLE GLAZED (Type A)
INTERMEDIATE PROFILE
(for double height)



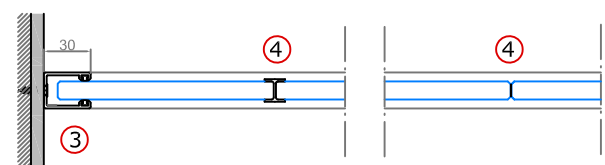
SINGLE GLAZED (Type A+B)
INTERMEDIATE PROFILE
(for double height)



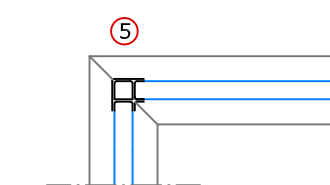
SINGLE GLAZED (Type A)
Wall abutment aluminium profile
Polycarbonate joint



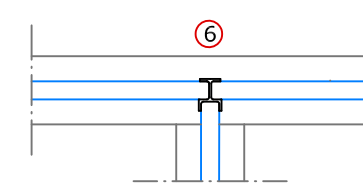
SINGLE GLAZED (Type B)
Wall abutment aluminium profile
3M acrylic tape joint



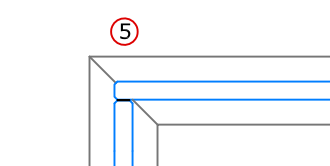
SINGLE GLAZED (Type C)
Wall abutment U-shaped aluminium profile
Polycarbonate or 3M acrylic tape joint



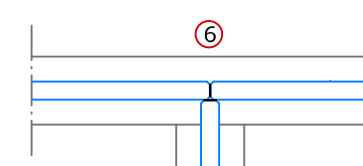
SINGLE GLAZED
90° polycarbonate joint



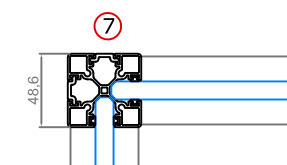
SINGLE GLAZED
3-ways polycarbonate joint



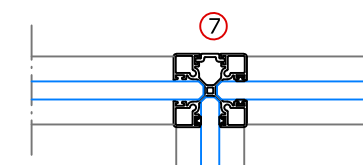
SINGLE GLAZED
90° 3M acrylic tape joint



SINGLE GLAZED
3-ways 3M acrylic tape joint



SINGLE GLAZED
4-ways profile



SINGLE GLAZED
4-ways profile

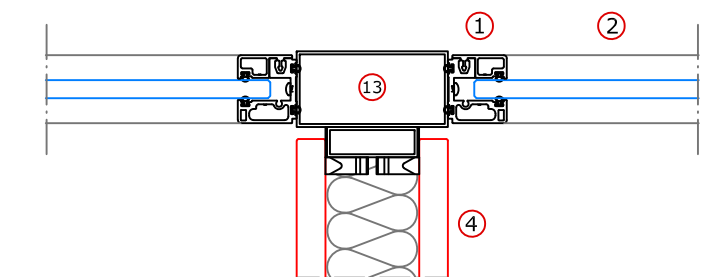
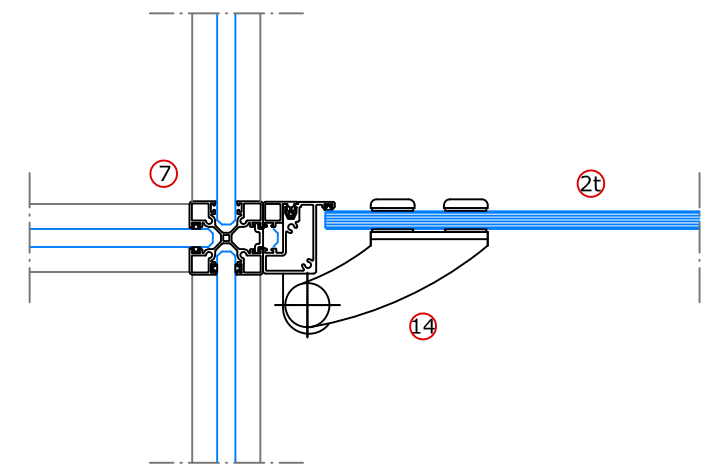
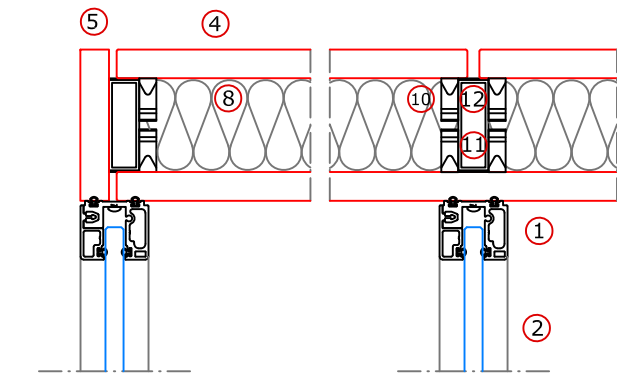
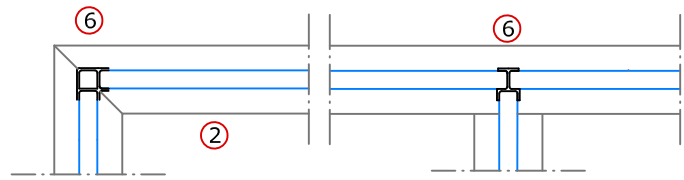
Vertical Section

- 1a Unique aluminium profile
- 1b Aluminium profile with packet
- 2 5+5 or 6+6mm laminated glass
- 3 U-shaped aluminium profile
- 4 Double height aluminium profile

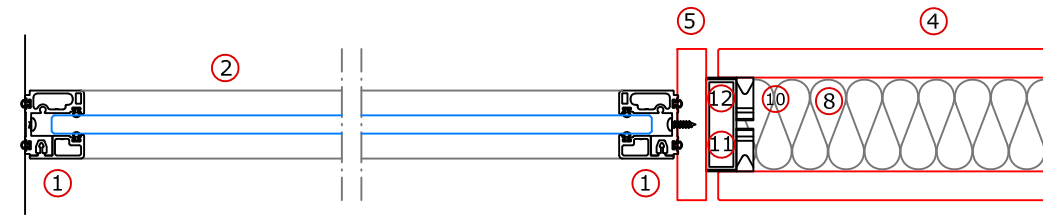
Horizontal Section

- 1 Wall abutment aluminium profile
- 2 5+5 or 6+6mm laminated glass
- 3 Wall abutment U-shaped aluminium profile
- 4 Polycarbonate element or 3M acrylic tape joint
- 5 90° polycarbonate or 3M acrylic tape joint
- 6 3-ways polycarbonate or 3M acrylic tape joint
- 7 4-ways profile

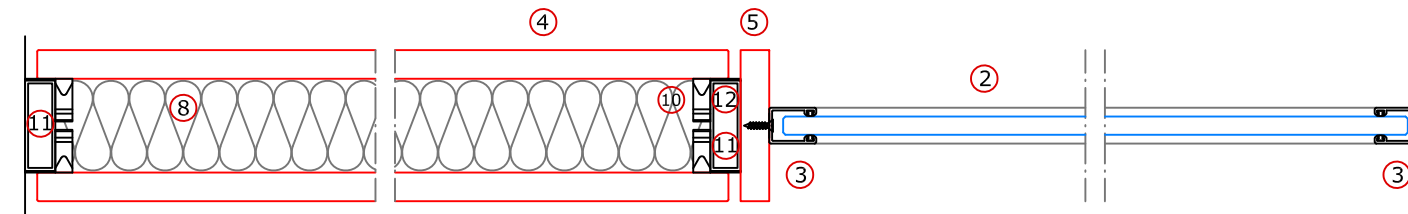
2-ways AND 3-ways JOINTS



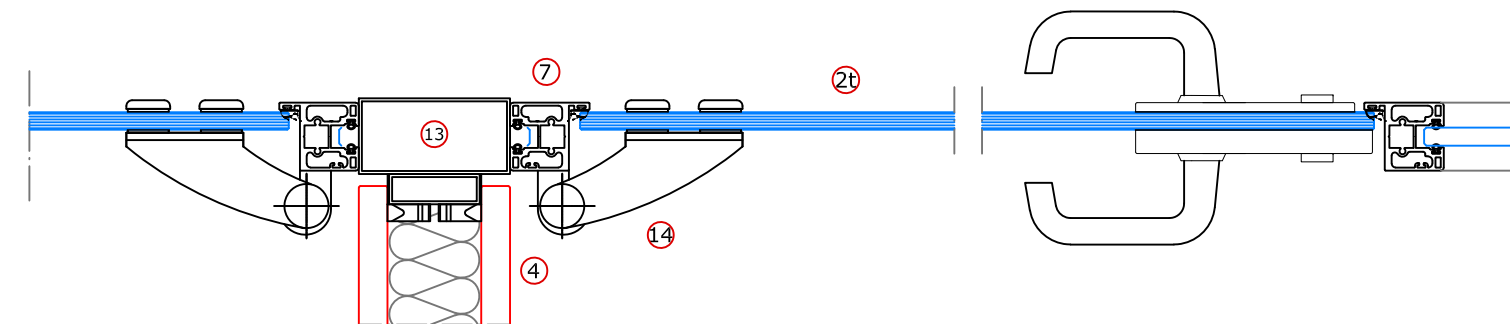
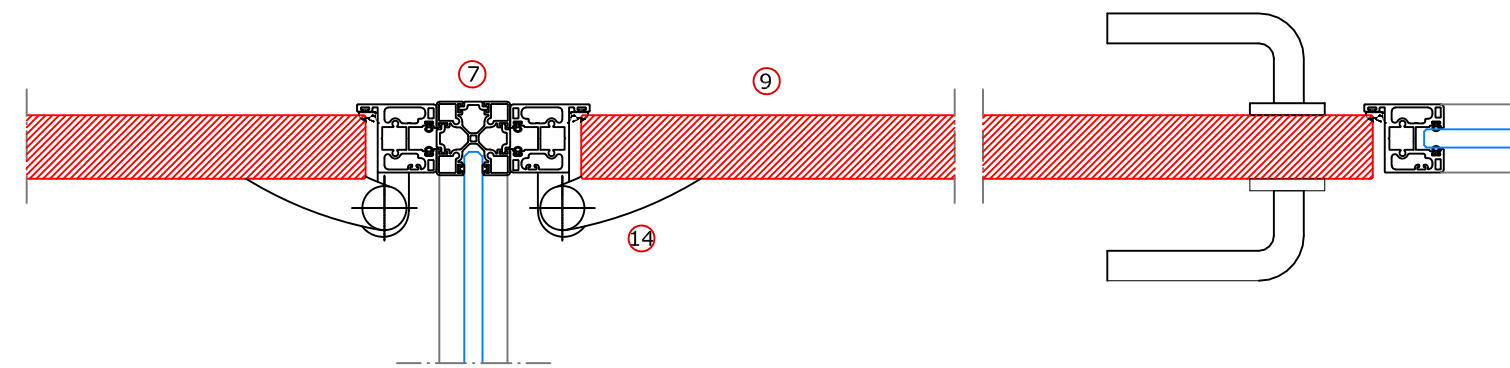
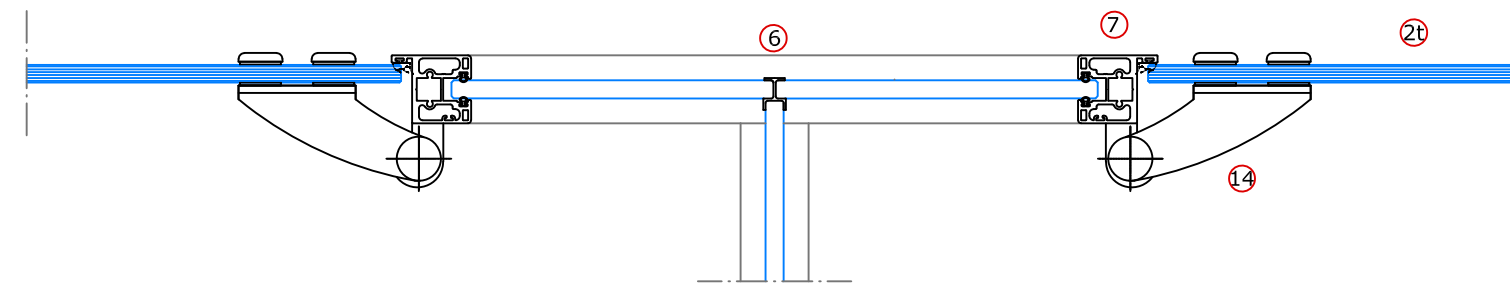
SINGLE GLAZED - DOUBLE BLIND



DOUBLE BLIND - SINGLE GLAZED



DOORS DETAILS



ARLEX

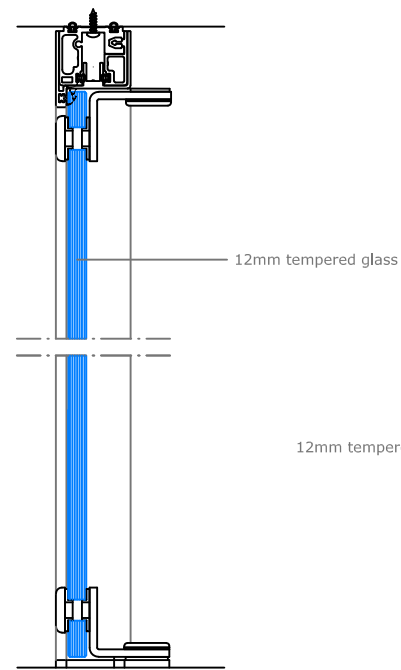
MAG
DETAILS

GLAZED MAG
BLIND MA7

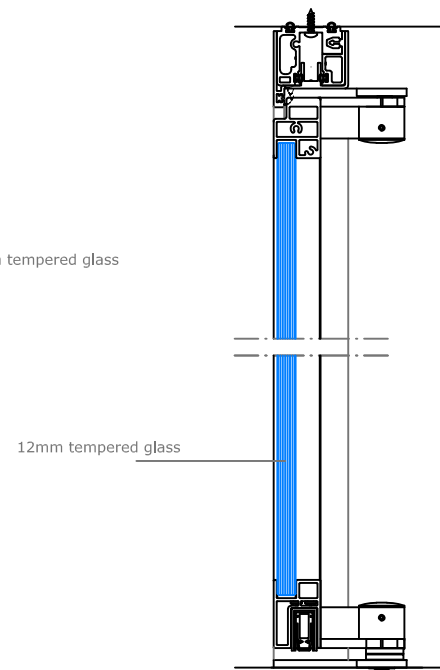
- ① Wall abutment aluminium profile
- ② 5+5 or 6+6mm laminated glass
- ②t 10mm or 12mm tempered glass
- ③ Wall abutment U-shaped aluminium profile
- ④ 19mm blind panel
- ⑤ 19mm blind placket
- ⑥ Polycarbonate element
- ⑦ 4-ways profile
- ⑧ Acoustic material
- ⑨ Hinged Door 42mm
- ⑩ Clips
- ⑪ Wall abutment
- ⑫ Acoustic gaskets
- ⑬ 100x50mm profile
- ⑭ Hinge

TECHNICAL DETAILS (E:1/5)

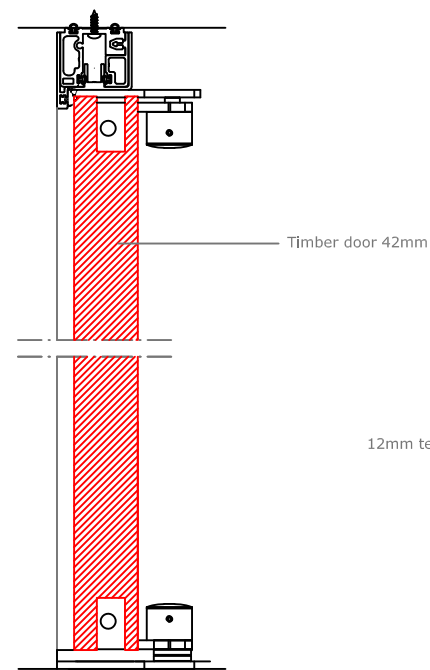
A HINGED DOOR
Single Glazed



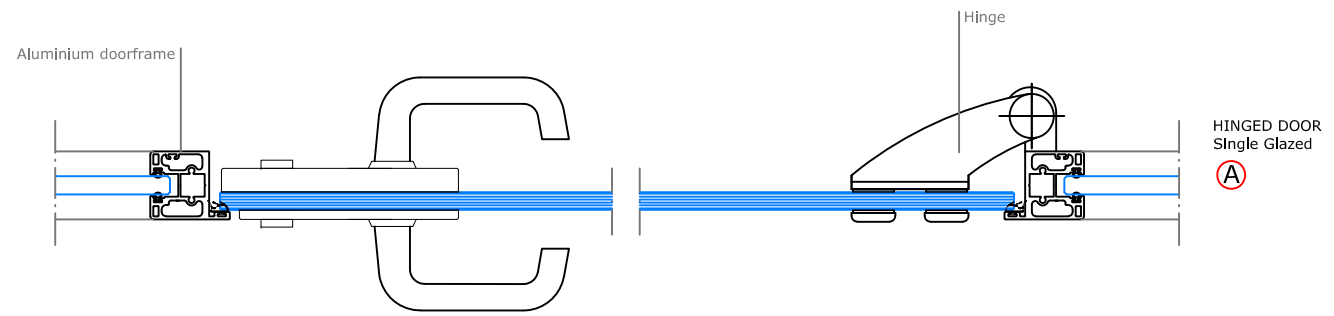
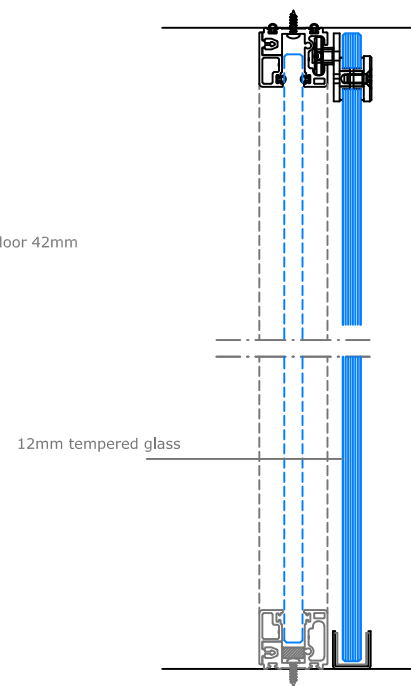
B HINGED DOOR
Single Glazed with frame



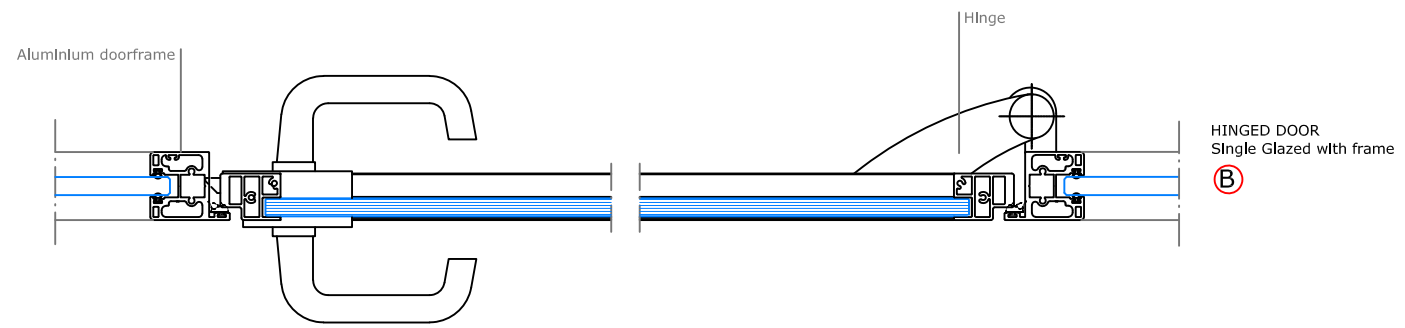
C HINGED DOOR
Laminated, laquered, veneer



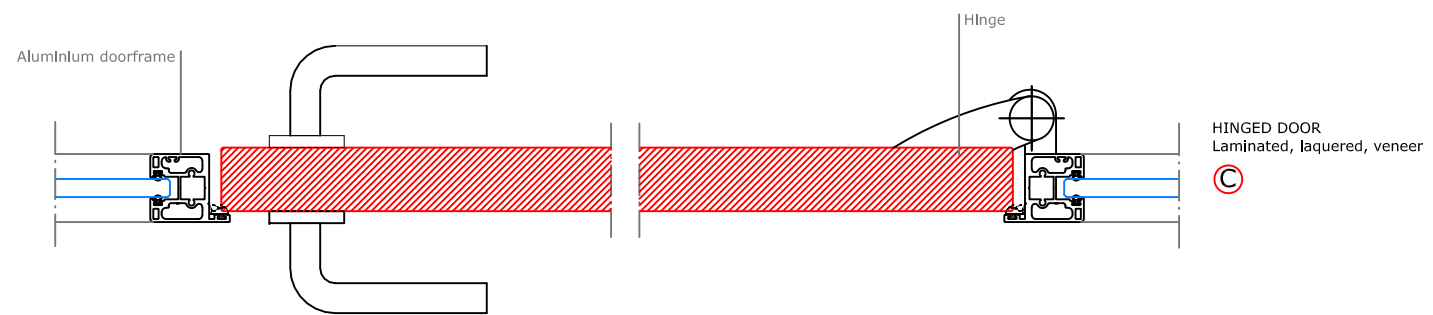
D SLIDING DOOR
Single glazed



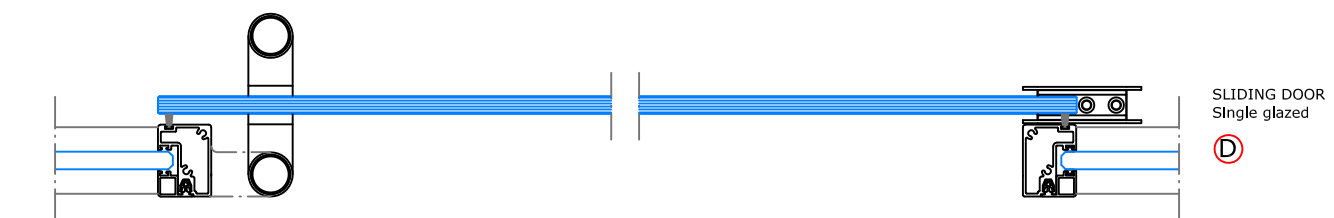
HINGED DOOR
Single Glazed
A



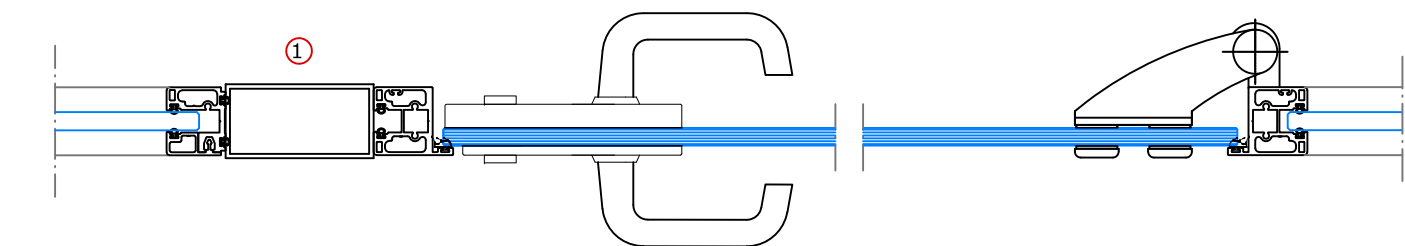
HINGED DOOR
Single Glazed with frame
B



HINGED DOOR
Laminated, laquered, veneer
C



SLIDING DOOR
Single glazed
D



ARLEX

MAG
DOORS
TECHNICAL MODULE

Vertical / Horizontal Section

- A** Single glazed 12mm tempered hinged door
- B** Single glazed 12mm tempered hinged door aluminium framed with drop-down seal
- C** HINGED DOOR 42mm Laminated, laquered, veneer
- D** Single glazed 10mm or 12mm tempered sliding door

NOTE: The hardware to hang the door (hinges or sliding pulley) will always be Lacquered.

Horizontal Section

- 1** Technical module 50x100mm (Non removable)

STANDARD TECHNICAL MODULE 50 MA6 Aluminum.

- * Not Registrable.
- * 50x100mm electrification tube between the door profile and the start profile.
- * Anodized Finish, Epoxy Painted, Natural Wood Veneer or Melamine Veneer.